

# A

# 17238

172X151X38mm(6.8"x5.9"x1.5")



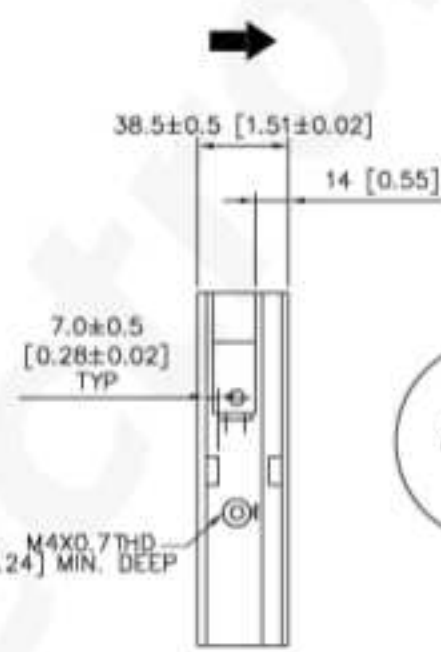
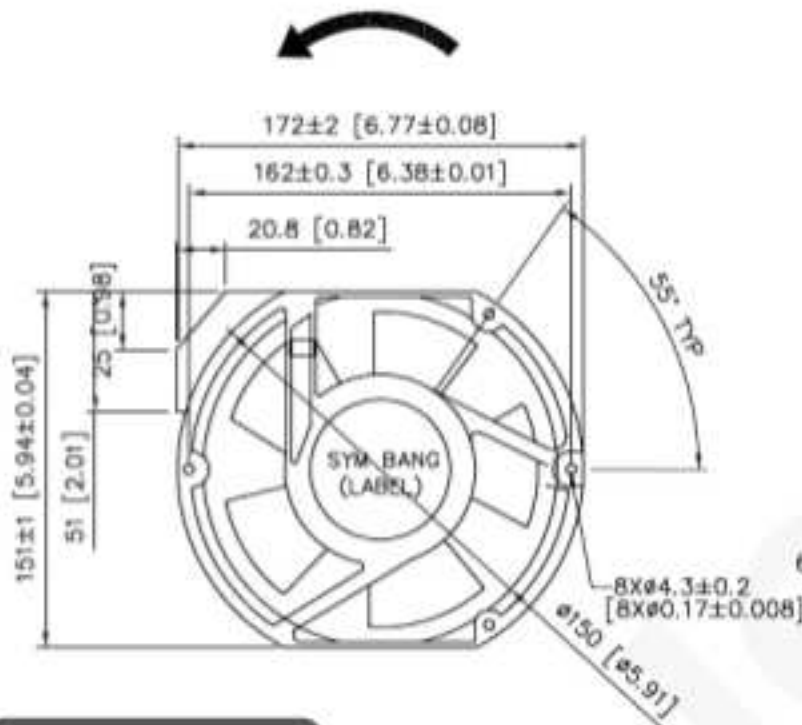
HOUSING	Aluminum Die Casting, Painted Black
IMPELLER	Thermoplastic PBT, UL94V-0
BEARING	Ball
OPERATING TEMPERATURE	-10°C to + 70°C
INSULATION	Class A
OPERATING VOLTAGE RANGE	85 VAC to 125 VAC for 115V Type 185 VAC to 245 VAC for 230V Type
DIELECTRIC STRENGTH	5mA Max. at 1500 VAC for 1 second
INSULATION RESISTANCE	10M $\Omega$ min. @500 VDC
MOTOR TYPE	AC Induction Capacitor Motor
SAFETY	Thermally Protected
TERMINATION	Terminals or Lead Wire
WEIGHT	693 g
ROHS COMPLIANCE	Yes
IP LEVEL	IP21 (Special IP Rating On Request)

# 172 mm

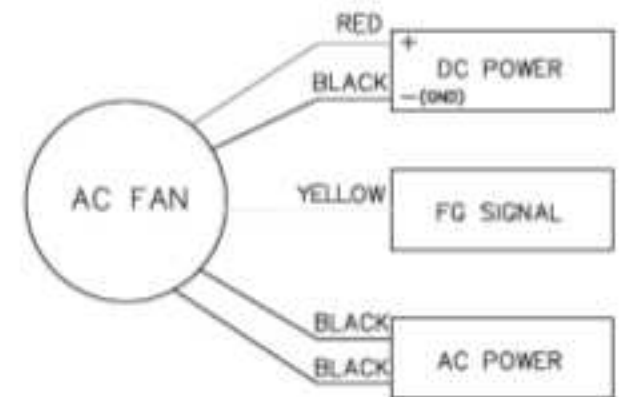
## DIMENSION

ROTATION DIRECTION

AIR FLOW



Wiring Diagram

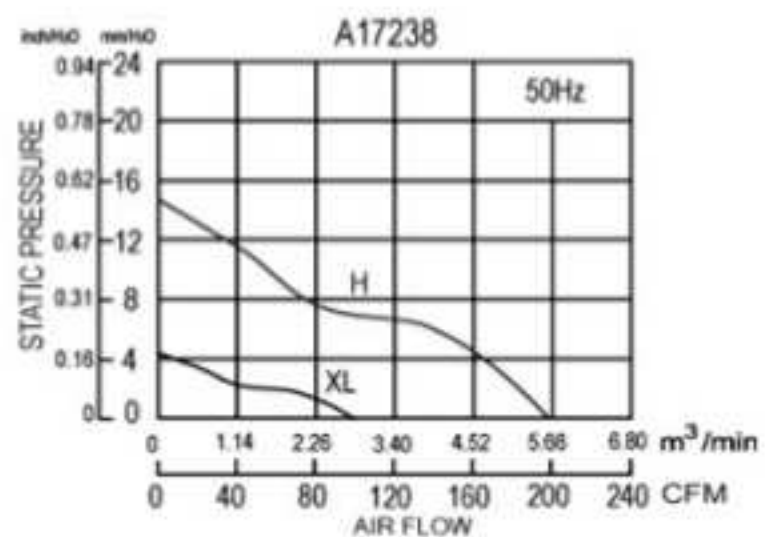
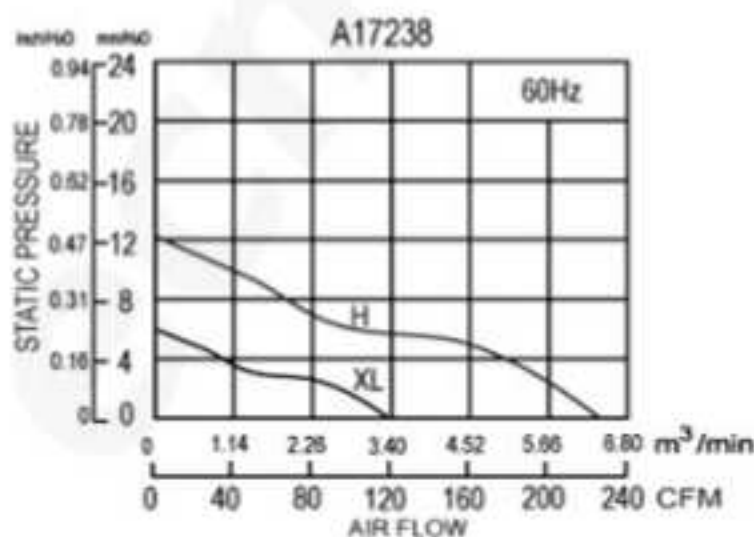


UNIT: mm[inch]

## SPECIFICATION

MODEL NO.	RATED VOLTAGE (V)	FREQUENCY (Hz)	RATED CURRENT (A)	INPUT POWER (W)	SPEED (RPM)	MAX. AIR PRESSURE		MAX. AIR FLOW		NOISE dB(A) @1M
						inch/H <sub>2</sub> O	mm/H <sub>2</sub> O	CFM	m <sup>3</sup> /min	
A17238V1H	115	50/60	0.22/0.29	25/32	2800/3300	0.57/0.48	14.63/12.2	198/225	5.6/6.4	58/62
A17238V1XL	115	50/60	0.15/0.15	16/16	1400/1800	0.16/0.23	4.29/6.01	100/119	2.8/3.4	40/45
A17238V2H	230	50/60	0.11/0.14	25/31	2800/3300	0.57/0.48	14.63/12.2	198/229	5.6/6.5	58/62
A17238V2XL	230	50/60	0.06/0.07	14/13	1400/1800	0.16/0.23	4.29/6.01	99/117	2.8/3.3	40/45

## AIR PERFORMANCE

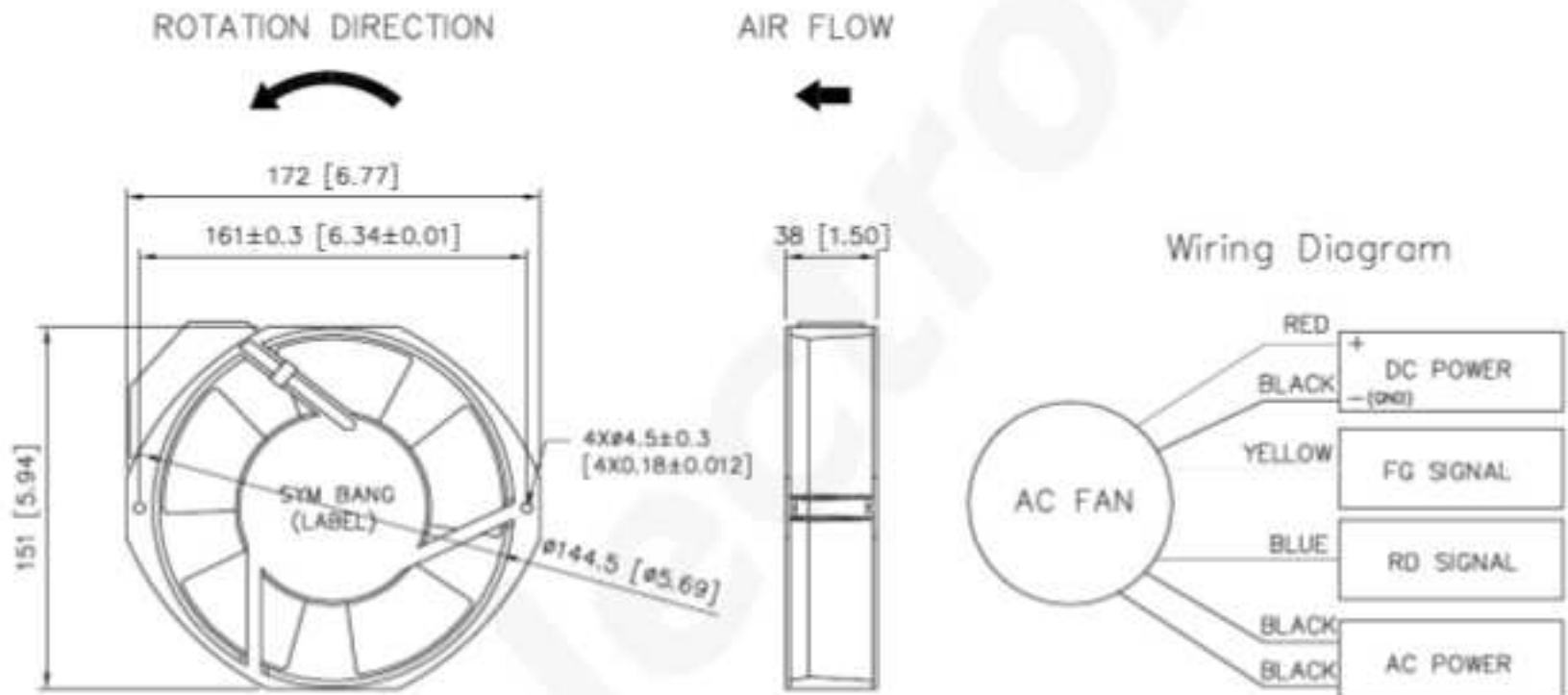


**A****17238-C**

172X151X38mm(6.8"x5.9"x1.5")

C **UL** US **CE**

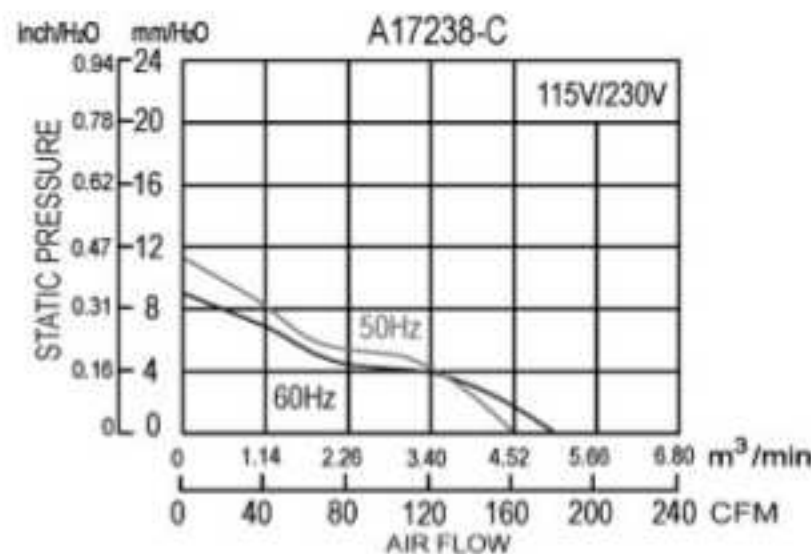
HOUSING	Aluminum Die Casting, Painted Black
IMPELLER	Thermoplastic PBT, UL94V-0
BEARING	Ball
OPERATING TEMPERATURE	-10°C to + 70°C
INSULATION	Class A
OPERATING VOLTAGE RANGE	100 VAC to 120 VAC for 115V Type 200 VAC to 240 VAC for 230V Type
DIELECTRIC STRENGTH	5mA Max. at 1500 VAC for 1 second
INSULATION RESISTANCE	10M $\Omega$ min. @500 VDC
MOTOR TYPE	Shaded Pole Motor
SAFETY	Impedance Protected
TERMINATION	Terminals or Lead Wire
WEIGHT	740 g
ROHS COMPLIANCE	Yes
IP LEVEL	IP21(Special IP Rating On Request)

**172** mm**DIMENSION**

UNIT: mm[inch]

**SPECIFICATION**

MODEL NO.	RATED VOLTAGE (V)	FREQUENCY (Hz)	RATED CURRENT (A)	INPUT POWER (W)	SPEED (RPM)	MAX. AIR PRESSURE		MAX. AIR FLOW		NOISE dB(A) @1M
						inch/H <sub>2</sub> O	mm/H <sub>2</sub> O	CFM	m <sup>3</sup> /min	
A17238V1HB-C	110	50/60	0.58/0.47	43/36	2580/2880	0.45/0.35	11.4/8.9	160/185	4.57/5.29	49
A17238V2HB-C	230	50/60	0.32/0.25	48/39	2580/2880	0.45/0.35	11.4/8.9	160/185	4.57/5.29	49

**AIR PERFORMANCE**

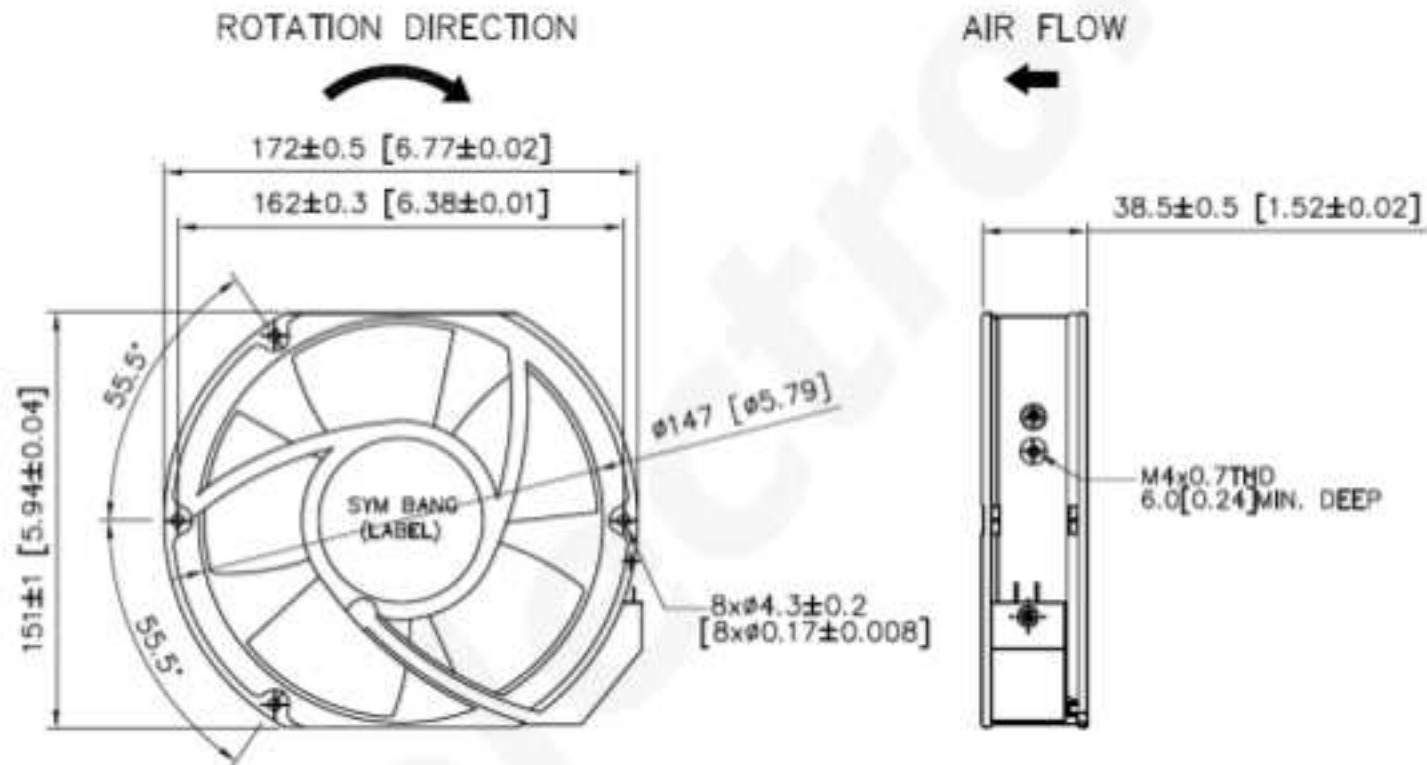


**A****17238-DA**

172X151X38mm(6.8"x5.9"x1.5")

**CE**

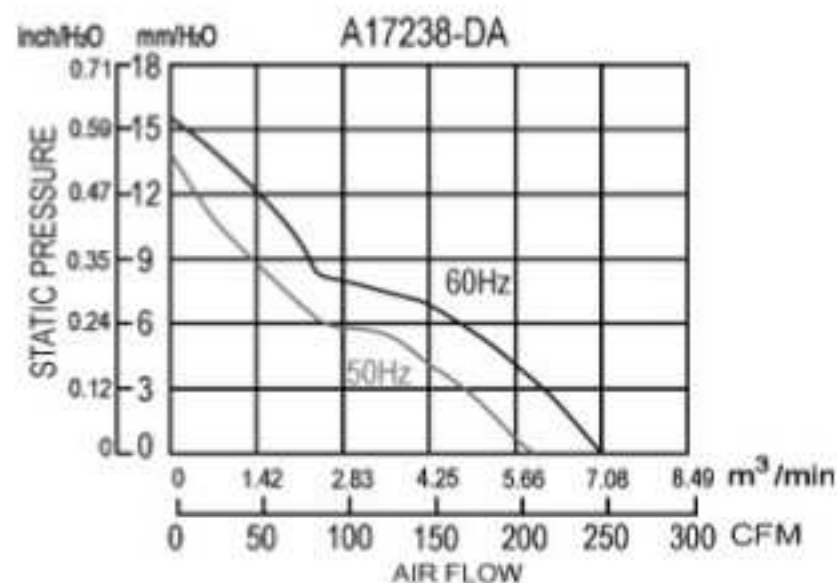
HOUSING	Aluminum Die Casting, Painted Black
IMPELLER	Thermoplastic PBT, UL94V-0
BEARING	Ball
OPERATING TEMPERATURE	-20°C to + 70°C
INSULATION	Class B
OPERATING VOLTAGE RANGE	85 VAC to 125 VAC for 115V Type 185 VAC to 245 VAC for 230V Type
DIELECTRIC STRENGTH	5mA Max. at 1800 VAC for 1 second
INSULATION RESISTANCE	10M $\Omega$ min. @500 VDC
MOTOR TYPE	AC Induction Capacitor Motor
SAFETY	Thermally Protected
TERMINATION	Terminals or Lead Wire
WEIGHT	800 g
ROHS COMPLIANCE	Yes
IP LEVEL	IP54 (Special IP Rating On Request)

**172** mm**DIMENSION**

UNIT: mm [inch]

**SPECIFICATION**

MODEL NO.	RATED VOLTAGE (V)	FREQUENCY (Hz)	RATED CURRENT (A)	INPUT POWER (W)	SPEED (RPM)	MAX. AIR PRESSURE		MAX. AIR FLOW		NOISE dB(A) @1M
						inch/H <sub>2</sub> O	mm/H <sub>2</sub> O	CFM	m <sup>3</sup> /min	
A17238V1HB-DA	115	50/60	0.25/0.21	27.0/25.0	2700/3100	0.55/0.61	14.0/15.5	210/250	5.91/7.07	53/59
A17238V2HB-DA	230	50/60	0.11/0.11	25.0/24.0	2700/3100	0.55/0.61	14.0/15.5	210/250	5.91/7.07	53/59

**AIR PERFORMANCE**

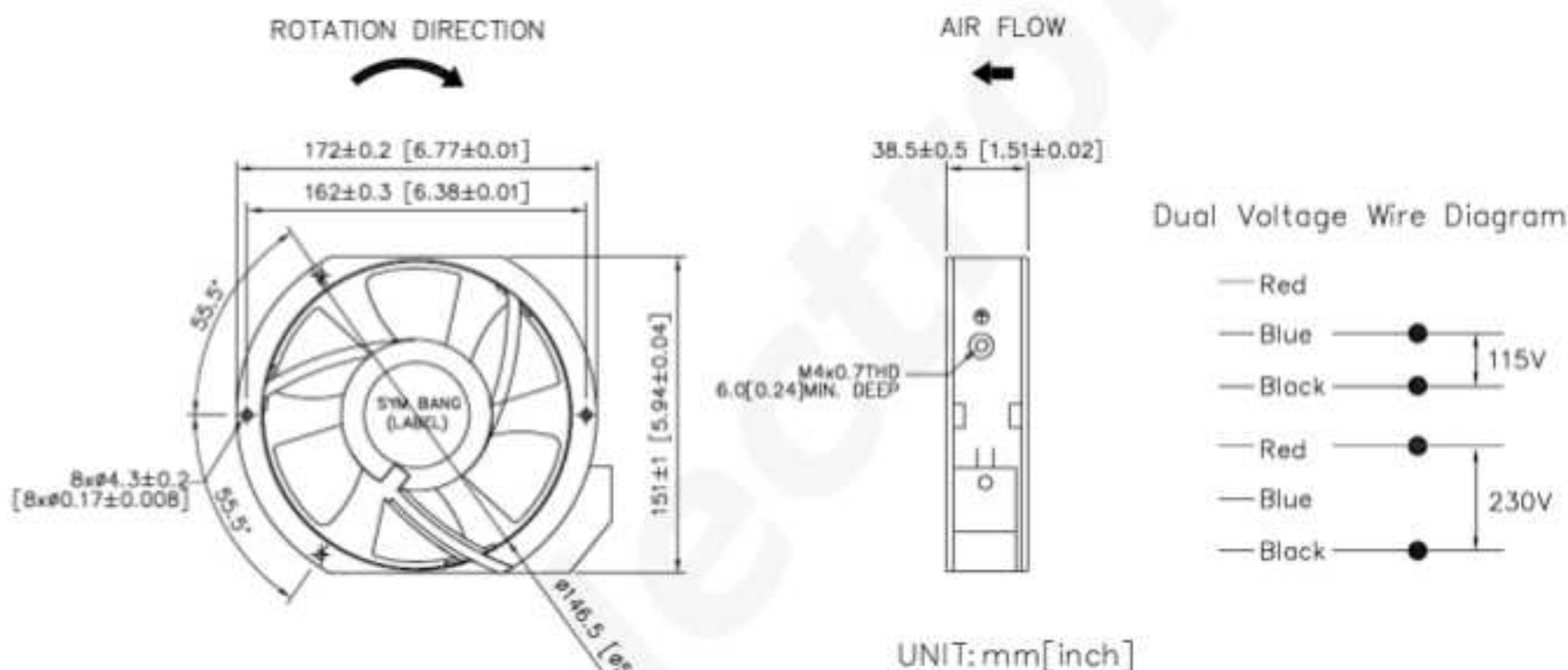
**A****17238M**

172X151X38mm(6.8"x5.9"x1.5")



HOUSING	Aluminum Die Casting, Painted Black
IMPELLER	Metal
BEARING	Ball
OPERATING TEMPERATURE	-10°C to + 70°C
INSULATION	Class A
OPERATING VOLTAGE RANGE	85 VAC to 125 VAC for 115V Type 185 VAC to 245 VAC for 230V Type
DIELECTRIC STRENGTH	5mA Max. at 1500 VAC for 1 second
INSULATION RESISTANCE	10M $\Omega$ min. @500 VDC
MOTOR TYPE	Outer Rotor, AC Induction Capacitor Motor
SAFETY	Thermally Protected
TERMINATION	Terminals or Lead Wire
WEIGHT	820 g
ROHS COMPLIANCE	Yes
IP LEVEL	IP21(Special IP Rating On Request)

172 mm

**DIMENSION****SPECIFICATION**

MODEL NO.	RATED VOLTAGE (V)	FREQUENCY (Hz)	RATED CURRENT (A)	INPUT POWER (W)	SPEED (RPM)	MAX. AIR PRESSURE inch/H <sub>2</sub> O    mm/H <sub>2</sub> O	MAX. AIR FLOW CFM    m <sup>3</sup> /min	NOISE dB(A) @1M
A17238V1HBM	115	50/60	0.25/0.21	27/25	2700/3100	0.53/0.57    13.5/14.5	210/240    5.94/6.79	52/58
A17238V2HBM	230	50/60	0.11/0.12	26/27	2700/3100	0.53/0.57    13.5/14.5	210/240    5.94/6.79	52/58

**AIR PERFORMANCE**